

2/2-way valves ND 8 to 25



For neutral steam and liquid fluids
 Solenoid actuated, with forced lifting
 Diaphragm valve
 Internal threads G ¼ to G 1
 Operating pressure 0 to 10 bar

Publication 7501534.06.10.96
 Catalogue index
A 5
 82 360 series

Description (standard valve)

Solenoid valve for hot water and steam

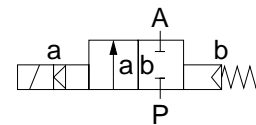
Flow direction: determined
 Fluid temperature: max. +150 °C
 Ambient temperature: max. +60 °C
 Sum of fluid- and ambient temperature: max. +210 °C
 Mounting position: optional, solenoid preferably vertical on top
 Material Body: Brass
 Seat seal: HNBR
 Internal parts: Brass, 1.4104, 1.4301, 1.4310

For contaminated fluids insertion of a strainer is recommended (see accessories).



Features

- Valve operates without pressure differential (Δp)
- High flow rate
- Easily interchangeable solenoid



Switching function:
 Normally closed

Characteristic data

ND [mm]	Connection (Thread acc. to DIN 228/1)	Operating pressure with gaseous and liquid fluids up to 25 mm ² /s (cSt) [bar]		k _v -value ¹⁾ (Base m ³ /h)	Weight [kg]	Dimension table no	Cat no			
		min.	max.				Valve XX	Solenoid DC XXX XX.XXXX	Valve XX	Solenoid AC XXX XX.XXXX
8	G ¼	0	10	1.9	1.3	01	82 360 00.8302		82 360 00.8306	
10	G ⅜	0	10	2.6	1.2	02	82 361 00.8302		82 361 00.8306	
12	G ½	0	10	3.2	1.2	03	82 362 00.8302		82 362 00.8306	
20	G ¾	0	10	7.0	1.9	04	82 363 00.8302		82 363 00.8306	
25	G 1	0	10	8.0	1.8	05	82 364 00.8302		82 364 00.8306	

State voltage [V]
 and frequency [Hz]

¹⁾ C_v-value (US) = k_v-value x 1.2

Solenoids

Standard-voltages	DC	AC
	40 Hz up to 60 Hz	
	24 V	24 V
	–	110 V
	205 V	230 V

Design acc. to VDE 0580

Voltage range $\pm 10\%$

100 % duty cycle

Protection class acc. to EN 60529 IP 65

(previous DIN 40 050)

Socket acc. to DIN 43 650,

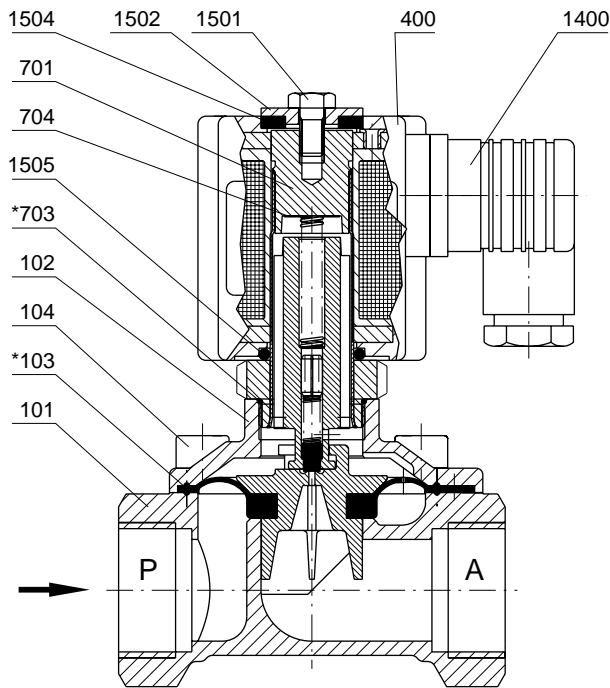
AC Solenoid with rectifier

For technical details see catalog register "Solenoids".

Further models

available at extra cost on request

Section



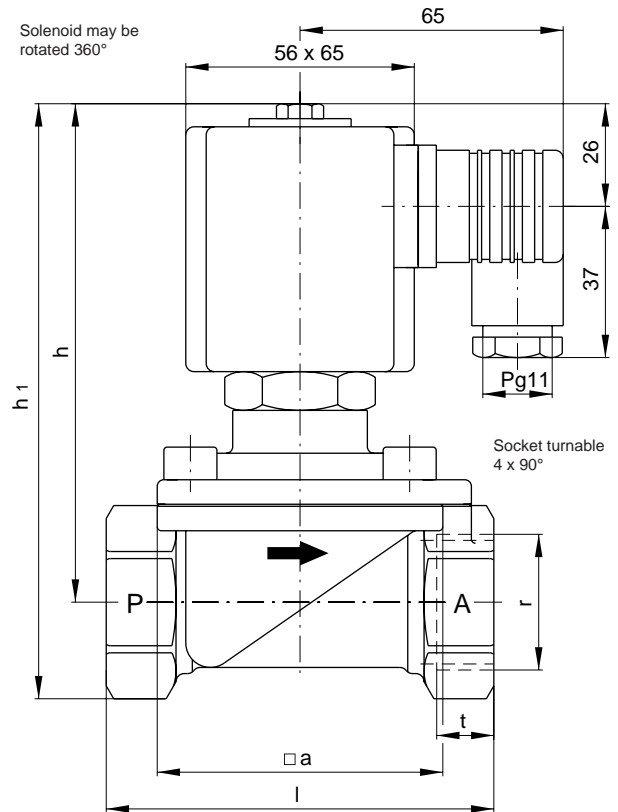
101 Valve body	1501 Hexagon screw
102 Valve cover	1502 Round plate
* 103 Diaphragm	1504 Gasket
104 Oval head screw up to G ½	1505 O-ring
Hexagon screw of G ¾ and G 1	
400 Solenoid	* These individual parts form a complete wearing unit.
701 Core tube	When ordering spare parts please state Cat no and series no.
* 703 O-ring	
704 Round plate	
1400 Socket	

Power consumption ¹⁾

Solenoid	DC	AC	
		Inrush	Holding
8302	14 W	–	–
8306		16 VA	16 VA

¹⁾ According to VDE 0580 at coil temperature +20 °C. In operating the solenoid coil decrease the power consumption appr. 30 %.

Dimensions



Dimension table no	a	h	h ₁
01	44	110	125
02	44	110	125
03	44	110	125
04	70	125	150
05	70	125	150

Dimension table no	l	r	t
01	67	G ¼	12.0
02	67	G ⅜	12.0
03	67	G ½	14.0
04	95	G ¾	12.5
05	95	G 1	14.0