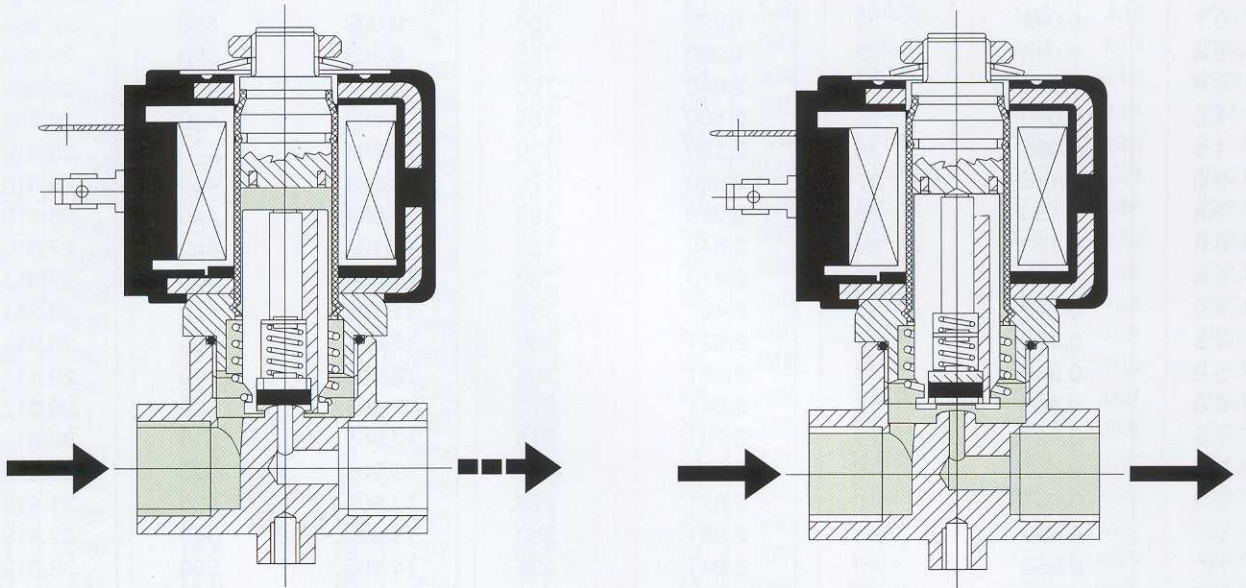
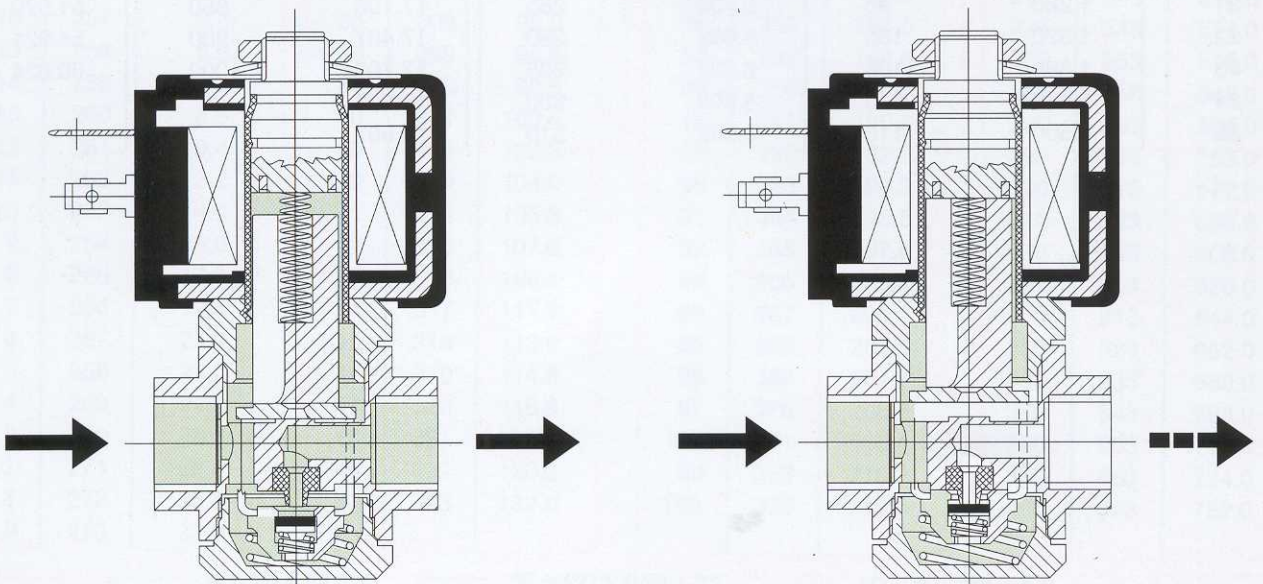


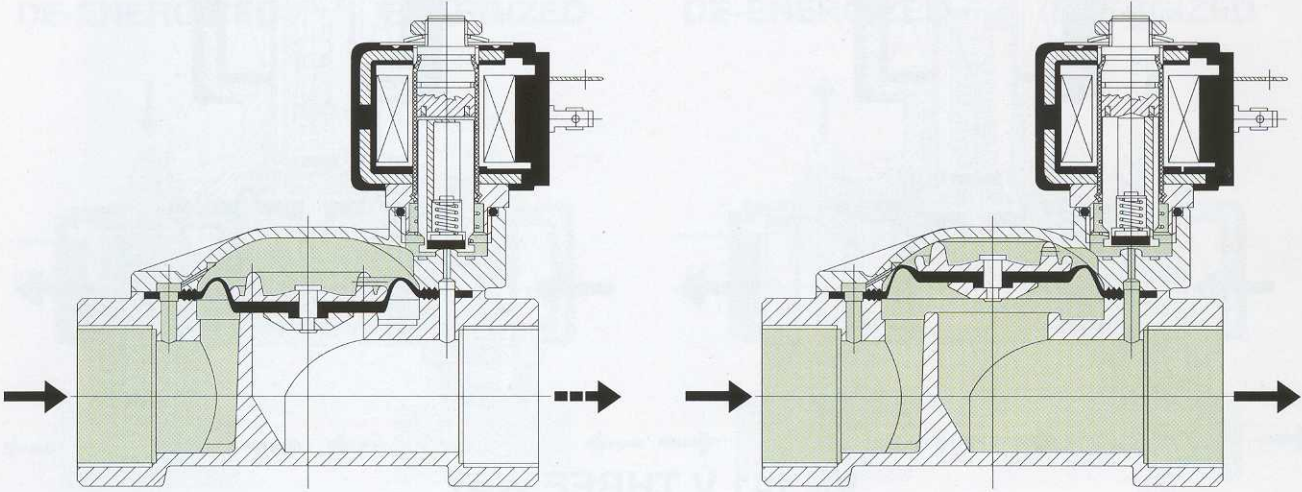
VE 146
TWO WAY - DIRECT OPERATED
NORMALLY CLOSED



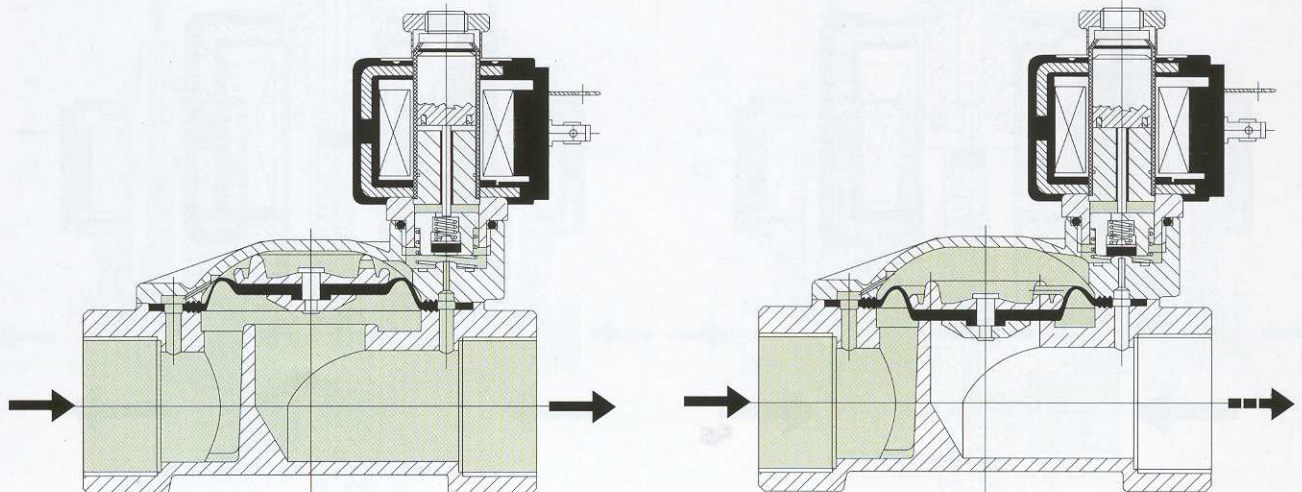
VE 120.4
TWO WAY - DIRECT OPERATED
NORMALLY OPEN



VE 133
TWO WAY - PILOT OPERATED (=PO) WITH DIAPHRAGM
NORMALLY CLOSED

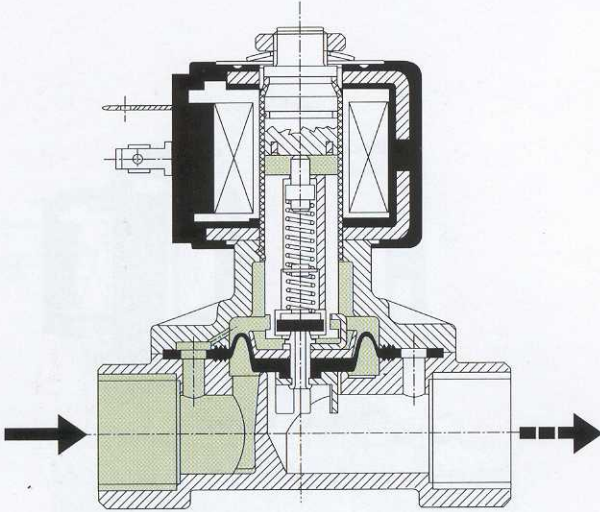


VE 143
TWO WAY - PILOT OPERATED (=PO) WITH DIAPHRAGM
NORMALLY OPEN

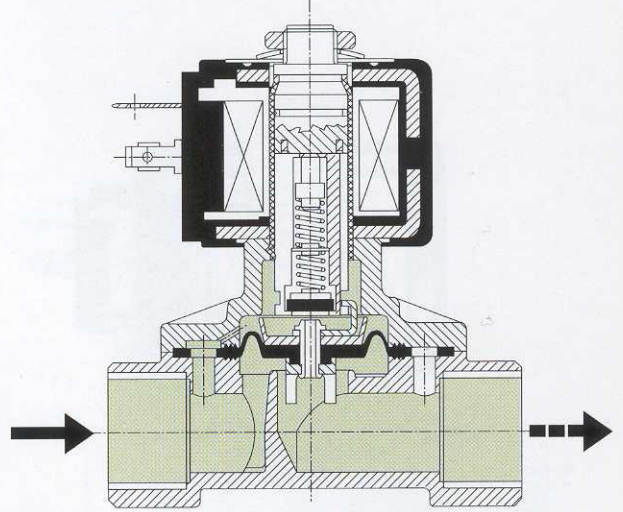


**VE 123 DIAPHRAGM ASSISTED
NORMALLY CLOSED**

DE-ENERGIZED

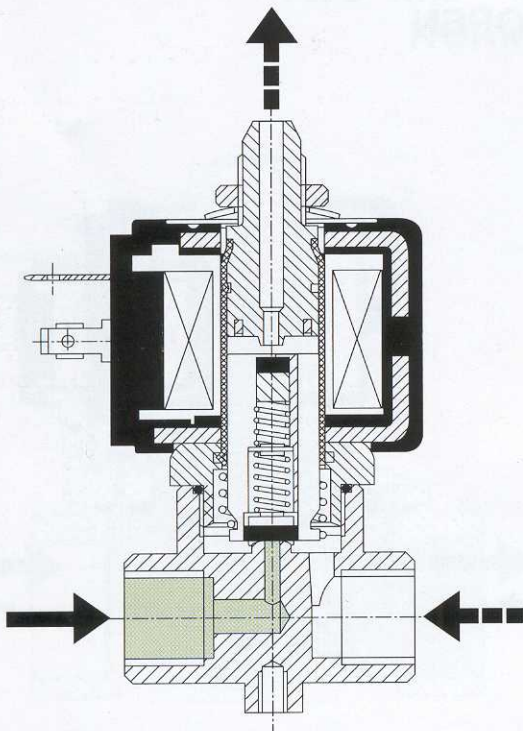


ENERGIZED

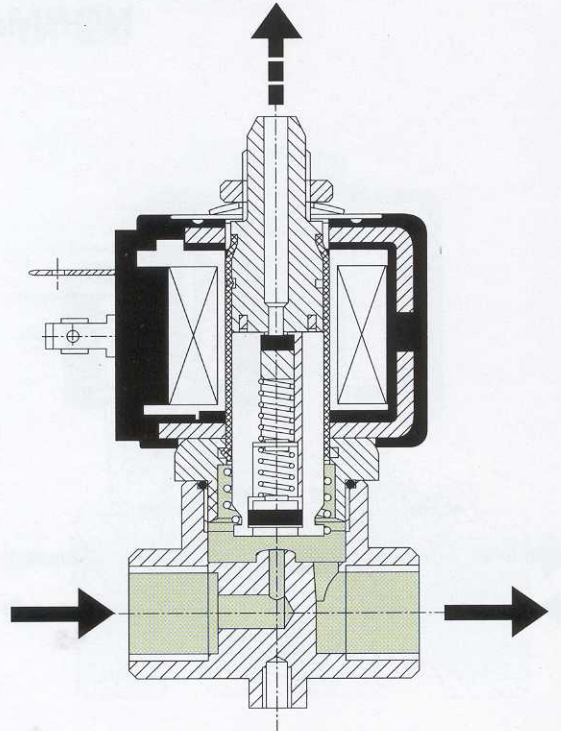


**VE 141 V THREE WAY
NORMALLY CLOSED**

DE-ENERGIZED

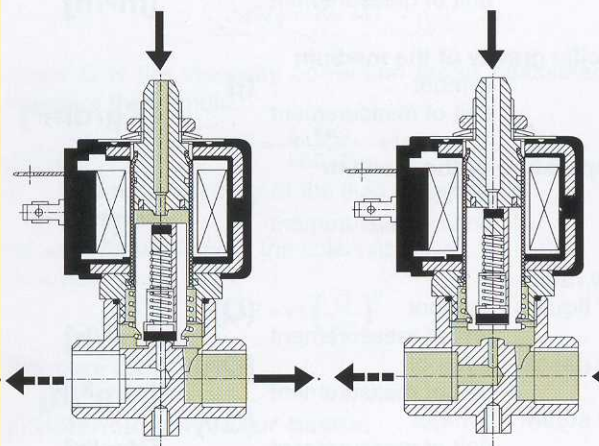


ENERGIZED

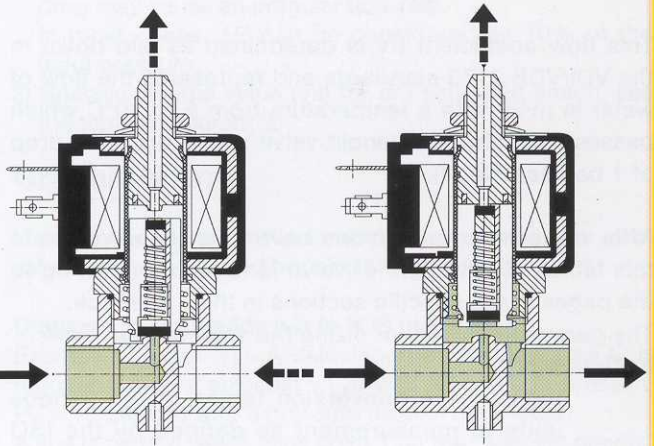


VE 139 UNIVERSAL

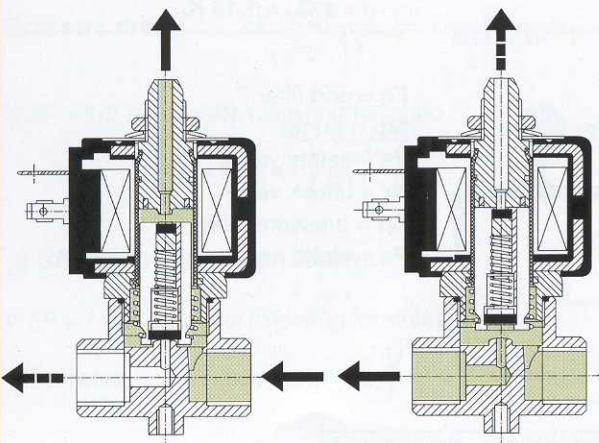
NORMALLY OPEN function
DE-ENERGIZED ENERGIZED



NORMALLY CLOSED function
DE-ENERGIZED ENERGIZED



DIVERTING function
DE-ENERGIZED ENERGIZED



MIXING function
DE-ENERGIZED ENERGIZED

